

**200 Floor
Scrubber
Battery
Traction Drive
w/Pump
Insert w/MC20025**

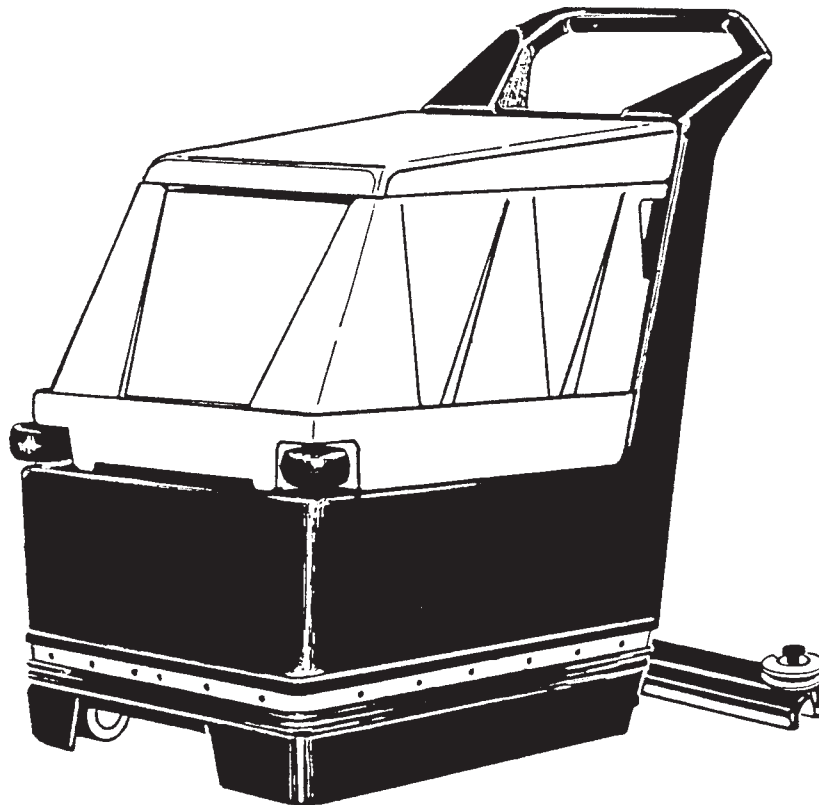
Model: MC20525

OPERATION

SERVICE

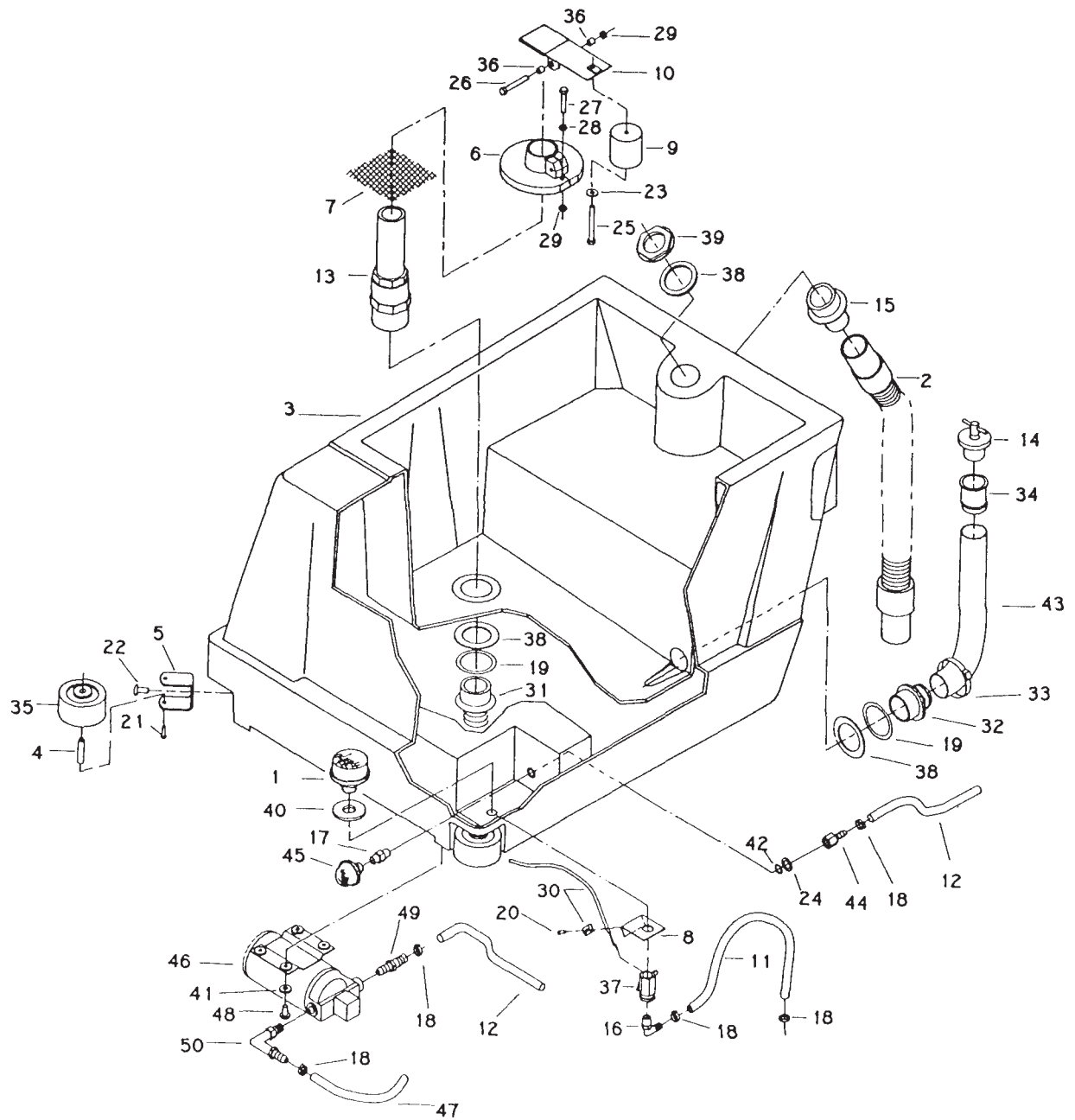
PARTS

CARE



Revised

Minuteman[®]



Parts List

| Item | Part No. | Qty. | Description |
|------|-----------|------|-------------------------------|
| 1 | 130118 | 1 | Solution Strainer M3-40 |
| 2 | 210068 | 1 | Vac Recover Hose 34.5 C/L |
| 3 | 210001MCH | 1 | Sol/Recovery Tank Assembly |
| 4 | 833254 | 2 | Bumper Wheel Axle |
| 5 | 832949 | 2 | U-Bracket Wheel Mount |
| 6 | 430041 | 1 | Float Housing |
| 7 | 430050 | 1 | Filter Screen 4 x 4 |
| 8 | 430058 | 1 | Sol. Valve Cable Mount |
| 9 | 430089 | 1 | Float |
| 10 | 430090 | 1 | Float Valve Weldment |
| 11 | 450056 | 1 | Solution Hose Nylon 21" |
| 12 | 210073 | 1 | Hose 3/8 Nylon 9" |
| 13 | 210009 | 1 | Standpipe Assembly |
| 14 | 833316 | 1 | Drain Plug 1 1/4 |
| 15 | 831812 | 1 | Adapter |
| 16 | 450040 | 1 | Elbow Plt. 3/8 MPT x 3/8 BARB |
| 17 | 450059 | 1 | Brass Bulkhead Fitting |
| 18 | 450076 | 2 | Crimp Clamp SS 185R |
| 19 | 450081 | 2 | WSR SS 1.908 x 2.41 x .03 |
| 20 | 711124 | 1 | SCR-ST-B 10 x .37 NI |
| 21 | 710353 | 2 | SCR-MC 10-32 x .37 ST PL |
| 22 | 710985 | 2 | SCR-SC 3/8-16 x .62 |
| 23 | 711504 | 1 | WSR-Flat 1/4 ID SS |
| 24 | 711594 | 1 | WSR-Flat .56 x .88 x .03 NI |
| 25 | 712092 | 1 | SCR Nylon 1/4-20 x 2.5 |
| 26 | 712567 | 1 | SCR-MC 1/4-20 x 2.00 SS |
| 27 | 712569 | 1 | SCR-MC 1/4-20 x 1.50 SS |
| 28 | 712665 | 1 | Nut-Hex 1/4-20 SS |
| 29 | 712667 | 2 | Nut-Hex 1/4-20 SS NYLOC |
| 30 | 210045 | 1 | Solution Control Cable A |
| 31 | 450083 | 1 | Hose Adapter |
| 32 | 760220MCH | 1 | 1.5 Adapter MCH (833310) |
| 33 | 760245 | 1 | Hose Clamp 62P24 |
| 34 | 760343 | 1 | Tube Hose 24/32B |
| 35 | 832896 | 2 | Guide Wheel |
| 36 | 762384 | 2 | Bushing .277 x .375 x .37 |
| 37 | 809413 | 1 | Valve Solution |
| 38 | 828970 | 3 | WSR Neop 1.81 x 2.37 x .9 |
| 39 | 828971 | 1 | Nut 1 1/2 Pipe Thread |
| 40 | 828975 | 1 | WSR Neop .75 x 1.5 x .90 |
| 41 | 712764 | 4 | WSR SS 10 |
| 42 | 832326 | 1 | O Ring |
| 43 | 210069 | 1 | Black Drain Hose 32" C/L |
| 44 | 833473 | 1 | Hose BARB 1/4 FPT x 3/8 BARB |
| 45 | 828974 | 1 | Strainer |
| 46 | 833299 | 1 | Pump 100 PSI 24V DC |
| 47 | 210073 | 1 | Solution Dump Hose Nylon 41" |
| 48 | 712539 | 4 | SCR-THMC 10-24 x .75 STPL |
| 49 | 828952 | 1 | 3/8 BARB x 1/4 MPT |
| 50 | 833325 | 1 | Elbow PLT 1/4 MPT x 3/8 BARB |

